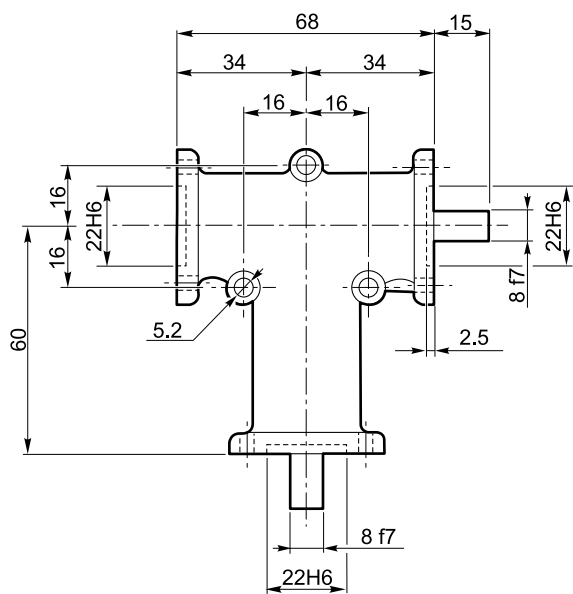


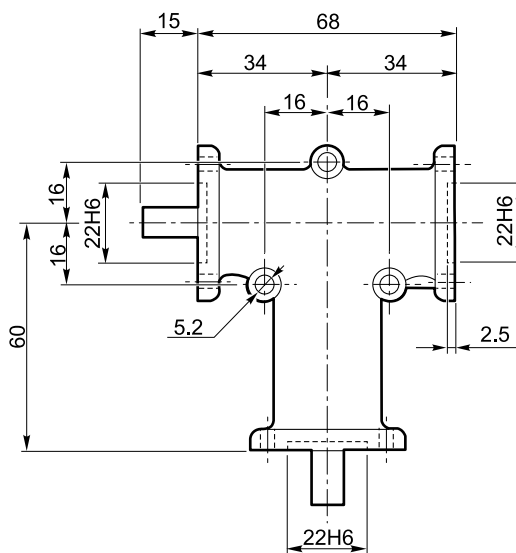


**RL 31**

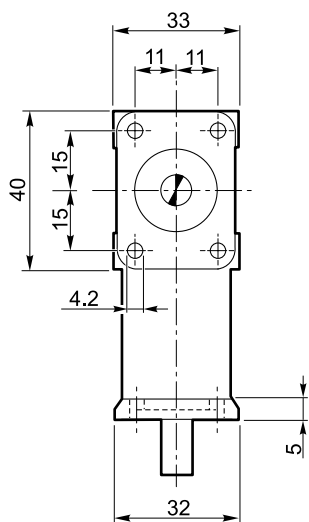
**3FL**



**AB**



**AC**

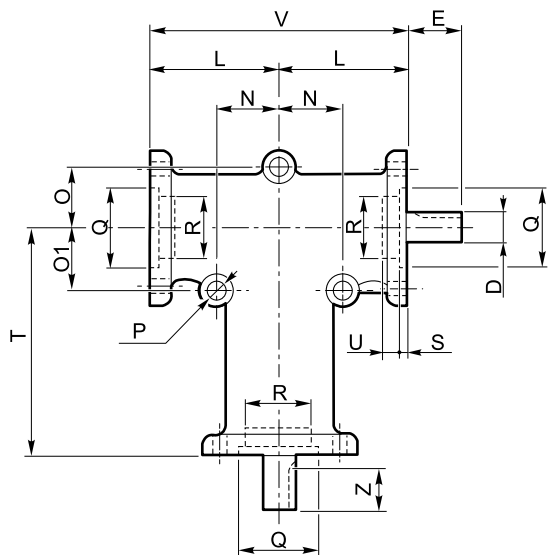


**BC**

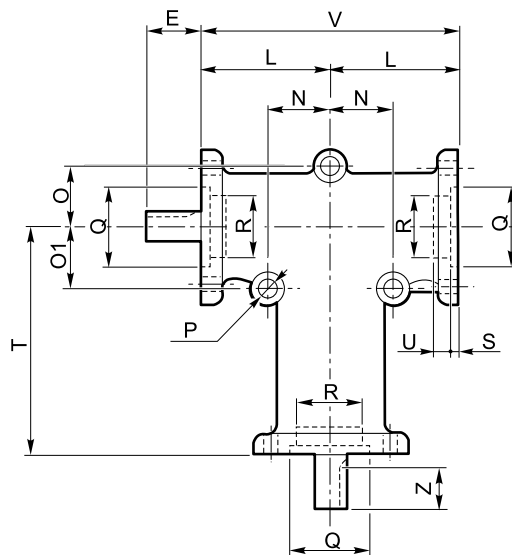


**RL 32 - RL 33 - RL 34**

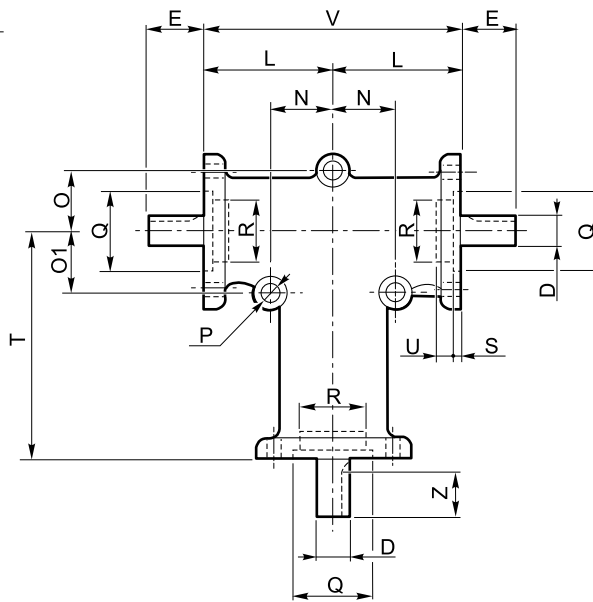
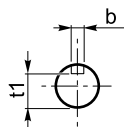
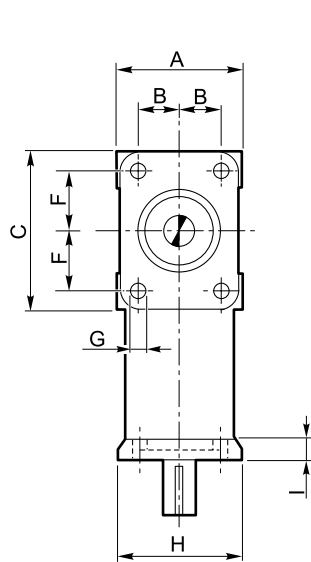
**3FL**



**AB**



**AC**



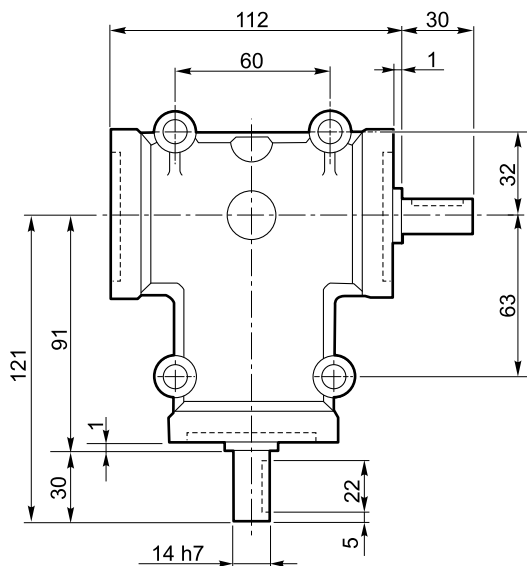
**BC**

	A	B	C	D <sub>f7</sub>	b	t <sub>1</sub>	E	F	G	H	I	L	N	O	O <sub>1</sub>	P	Q <sub>H6</sub>	R <sub>H6</sub>	S	T	U	V	Z
<b>RL 32</b>	52	18	66	15	5	12	35	26	6.2	50	7	52	24	24	24	8.3	35	-	5	90	-	104	27
<b>RL 33</b>	76	27	96	20	6	16.5	50	38	8.3	74	8	75	38	38	38	8.3	55	52	3.5	140	5	150	40
<b>RL 34</b>	100	38	98	25	8	21	70	38	10.3	98	13	80	45	45	70	10.3	65	62	3.5	150	2	160	60

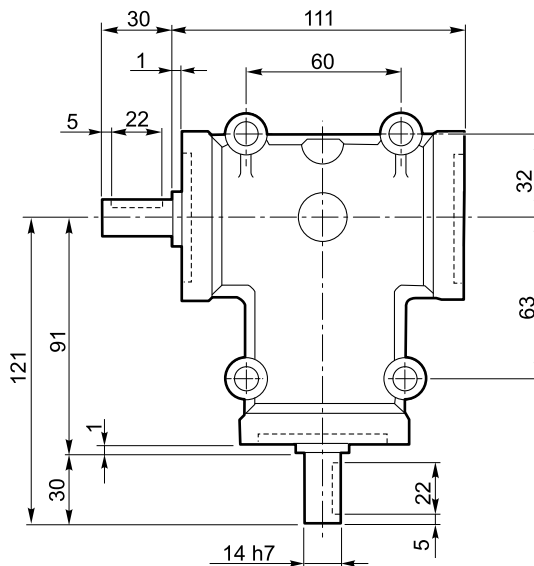


**RL 42**

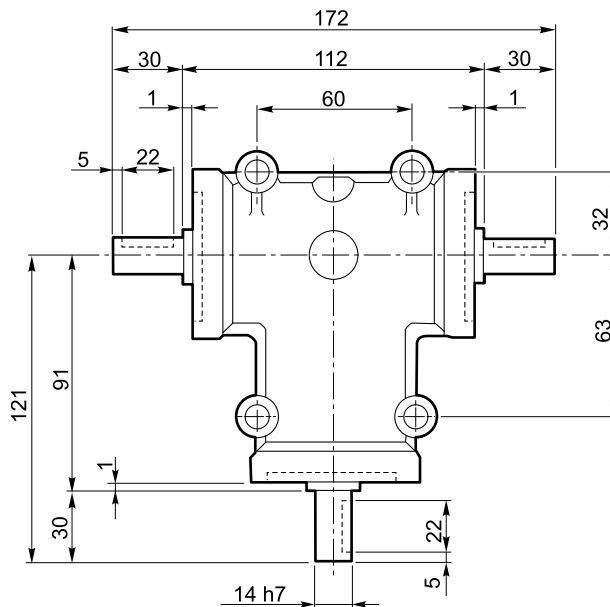
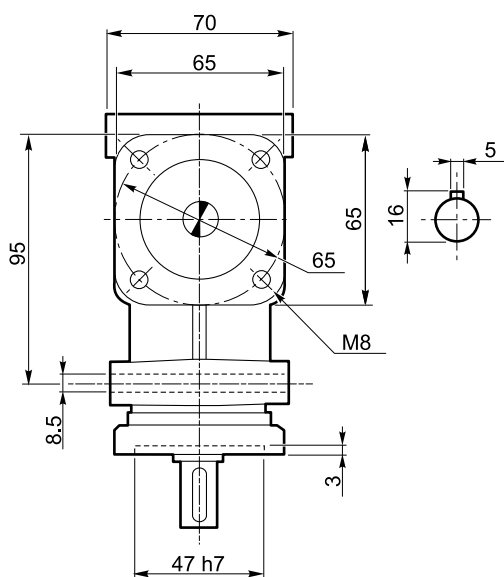
**3FL**



**AB**



**AC**



**BC**