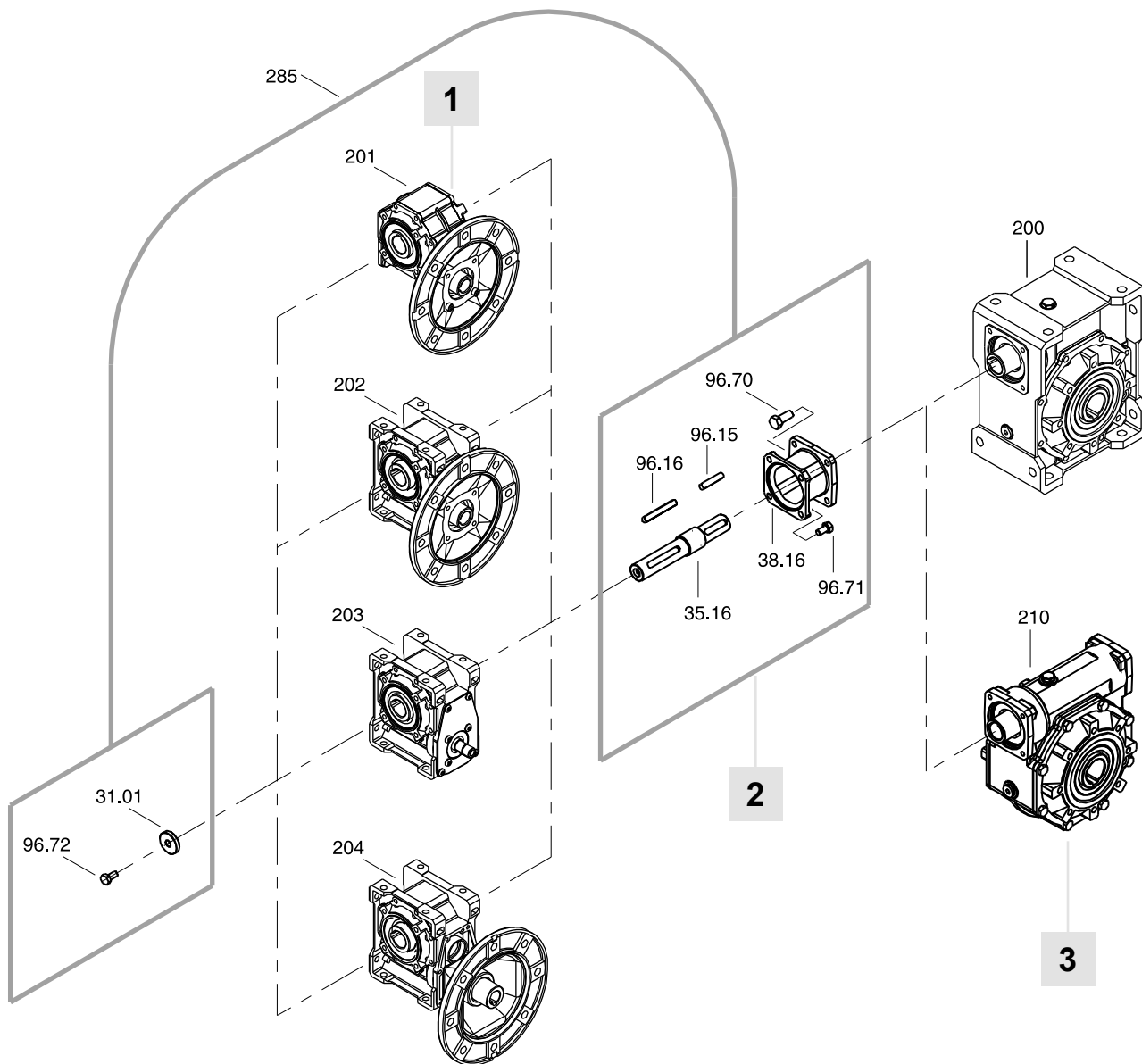


KXC - XXC - XXA - XXF - KKC



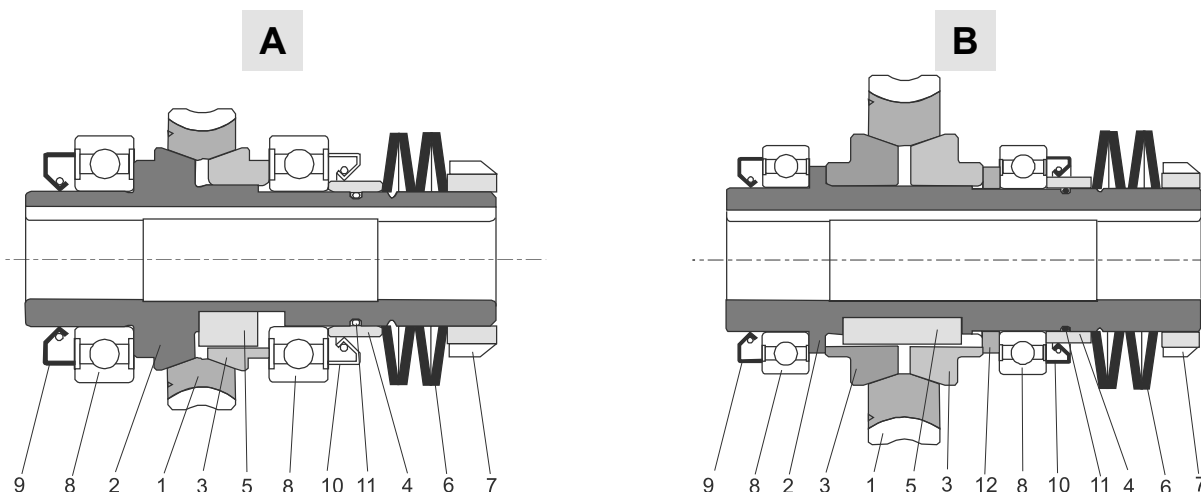
	1	2	3
	IN X..P - K..P	KIT	OUT XC - KC
30/30	X30 KC30	KIT 30/30 (2850002010)	30/9
30/40		KIT 30/40 (2850002013)	40/11
30/50		KIT 30/50 (2850002016)	50/14
30/63		KIT 30/63 (2850002019)	63/19
40/63	X40 KC40	KIT 40/63 (2850002028)	63/19
40/75		KIT 40/75-90 (2850002031)	75/24
40/90			90/24
50/75	X50 KC50	KIT 50/75-90 (2850002034)	75/24
50/90		KIT 50/110 (2850002049)	90/24
50/110			110/28
63/110	X63 KC63	KIT 63/110-130 (2850002052)	110/28
63/130	X63 KC63	KIT 63/110-130 (2850002052)	110/28

X - H - K - KX - XX - KK

Omezovač momentu s dutou hřídelí

Torque limiter with through hollow shaft

Drehmomentbegrenzer mit durchgehende Hohlwelle



A			B				
X - H - K							
30 (LD - LS)	40 (LD - LS)	50 (LD - LS)	63 (LD - LS)	75 (LD - LS)	90 (LD - LS)	110 (LD - LS)	130 (LD - LS)
KX - XX - KK							
30/30 (L1-LD-LS) 30/40 (L1) 30/50 (L1) 30/63 (L1)	30/40 (LD - LS) 40/63 (L1) 40/75 (L1) 40/90 (L1)	30/50 (LD - LS) 50/75 (L1) 50/90 (L1) 50/110 (L1)	30/63 (LD - LS) 40/63 (LD - LS) 63/110 (L1)	40/75 (LD - LS) 50/75 (LD - LS)	40/90 (LD - LS) 50/90 (LD - LS)	50/110 (LD - LS) 63/110 (LD - LS)	63/130 (LD - LS)
1 Bronzové kolo / Bronze wheel / Bronzerad /							
2 Dutá hřídel omezovače / Hollow shaft torque limiter / Rutschkupplungs-Hohlwelle							
3 Třecí kroužek / Friction ring / Reibring							
4 Distanční podložka / Washers' distance ring / Federdistanzring							
5 Pero / key / Passfeder							
8x7x10AB	10x8x13AB	12x8x18AB	12x8x40A	16x10x40A	16x10x50A	18x11x60A	
6 Talířové pružiny / Belleville washers / Tellerfeder							
7 Matice / Metal ring / Metall Ring							
6005 25x47x12	6006 30x55x13	6008 40x68x15	6008 40x68x15	6010 50x80x16	6010 50x80x16	6012 60x95x18	
25x40x7	30x47x7	40x62x8	40x62x8	50x72x8	50x72x8	60x85x8	
30x40x5	35x47x7	48x62x8	48x62x8	58x72x8	58x72x8	70x85x8	
OR2087 21.95x1.78	OR2106 26.7x1.78	OR 36.27x1.78	OR 36.27x1.78	OR2187 47.37x1.78	OR2187 47.37x1.78	OR2225 56.87x1.78	
12 —			Vymezovací podložka / Spacer / Abstandshülse				