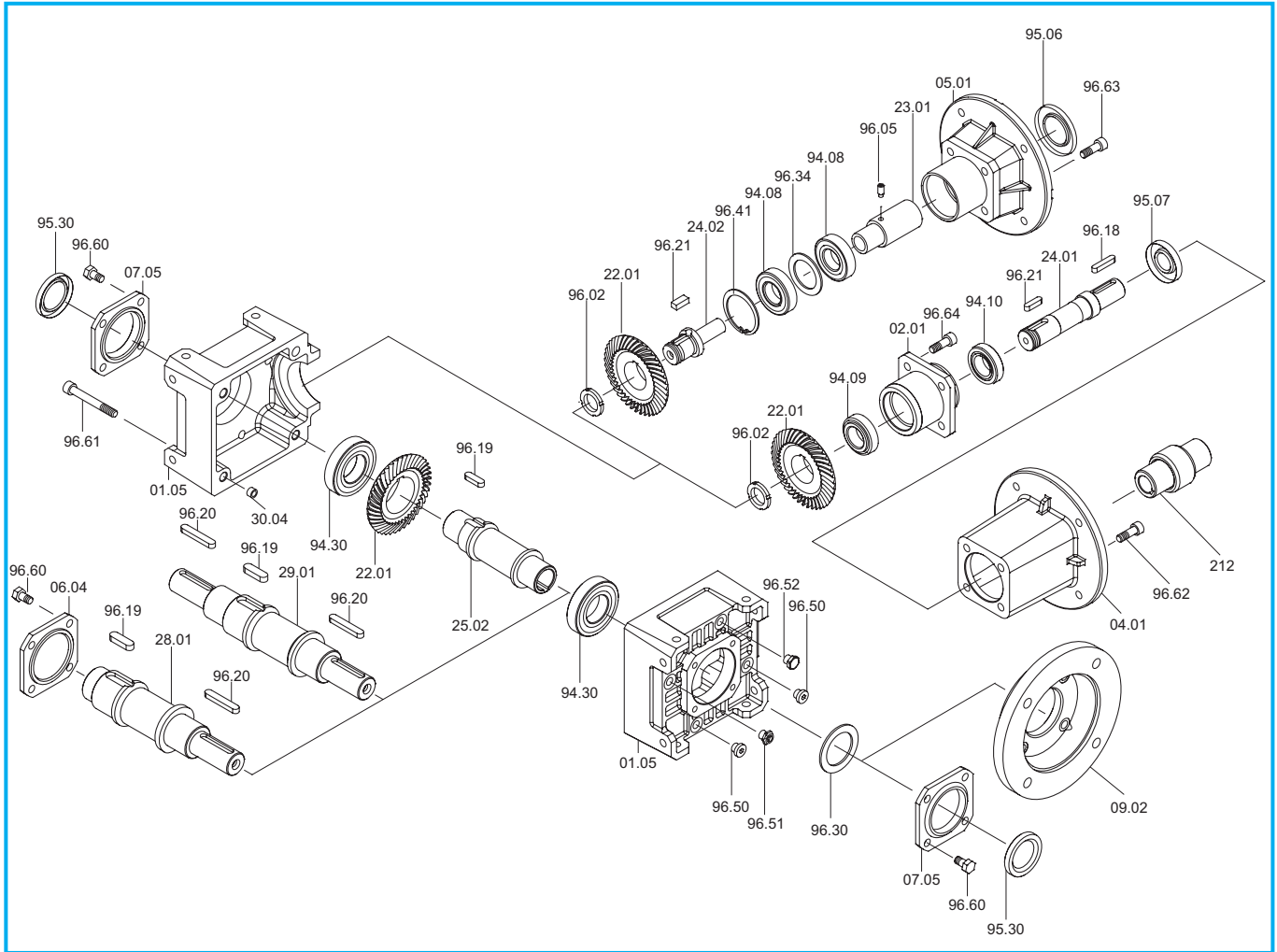
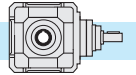


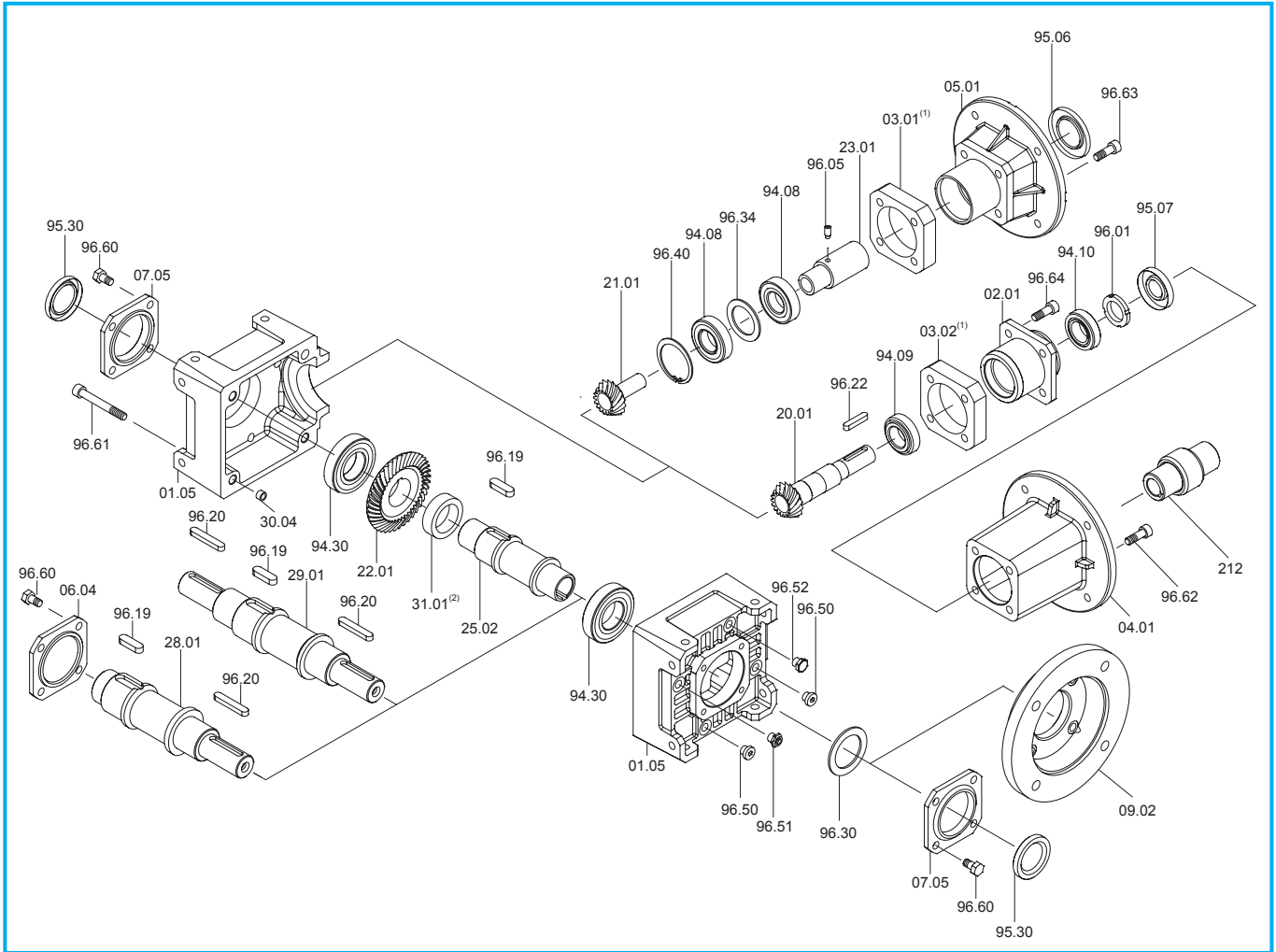
LA - LC - LF (in = 1)



LA - LC - LF in = 1:1	Cuscinetti / Bearings / Lager			Anelli di tenuta / Oilseals / Öldichtungen			
	LA - LC - LF	LA - LF	LC	LA - LC - LF	LC	LA - LF	
	94.30	94.10 - 94.09	94.08	95.30	IEC	95.06	95.07
19	6206 30/62/16	30203 17/40/13.25	7203 17/40/12	30/47/7	63	25/52/7	20/40/7
					71	30/52/7	
					80	35/52/7	
					90	37/52/8	
24	6207 35/72/17	32005 25/47/15	7205 25/52/15	35/52/7	71 - 80	35/62/7	30/47/7
					90	40/62/7	
					100 - 112	45/62/8	
28	6208 40/80/18	32006 30/55/17	7206 30/62/16	40/62/8	80 - 90	40/72/7	35/58/10
					100 - 112	45/72/8	
					132	55/72/8	
38	30211 55/100/22.75	32007 35/62/18	7207 35/72/17	55/72/10	90	45/80/10	40/62/7
					100 - 112	45/80/10	
					132	55/80/10	
					160	60/80/8	
48	30213 65/120/24.75	33109 45/80/26	7209 45/85/19	65/90/10	180	65/80/8	55/80/8
					100 - 112	55/100/13	
					132 - 160	60/100/10	
					200	75/100/10	



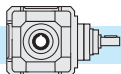
LA - LC - LF (in > 1)



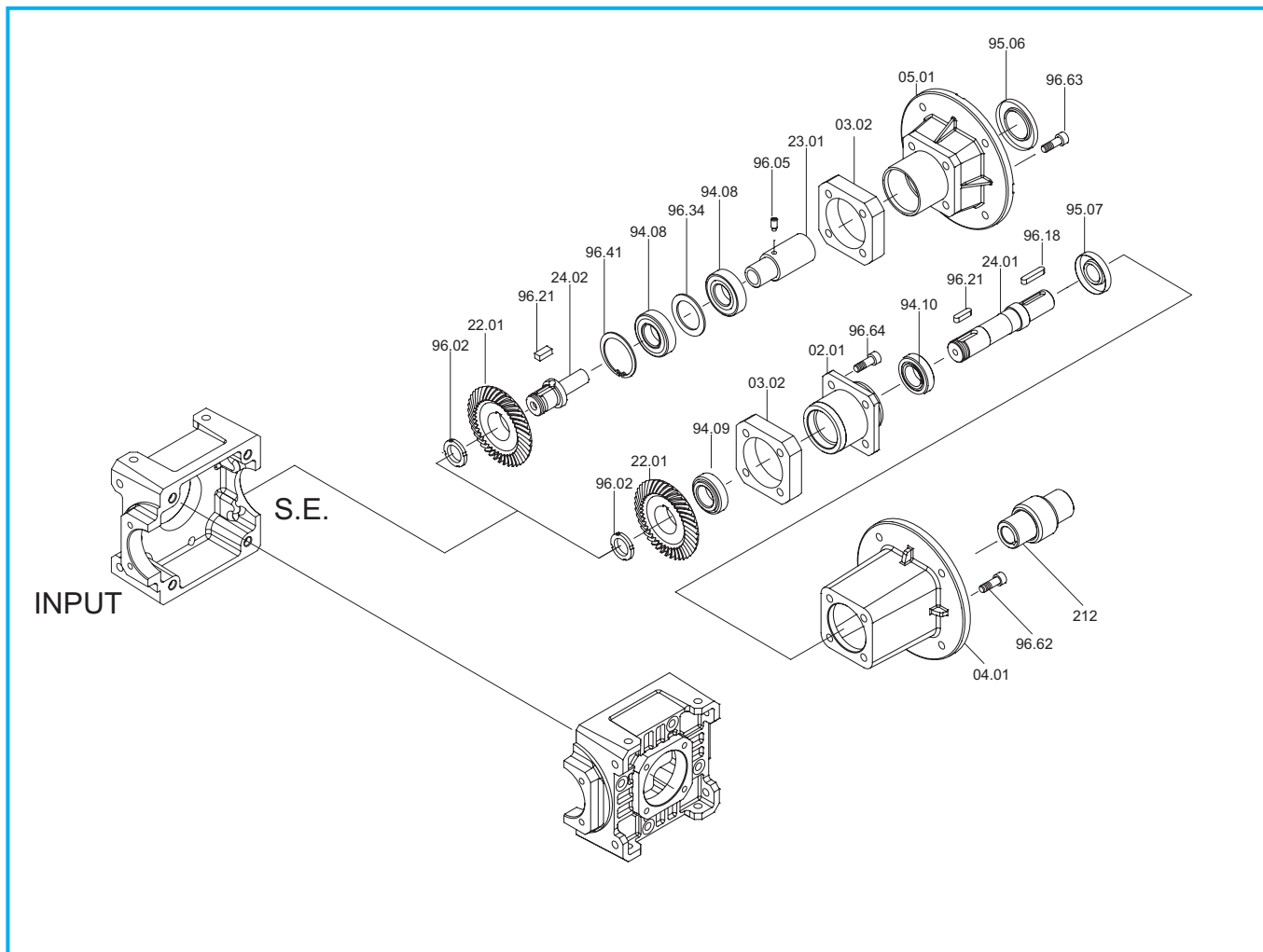
(1): Solo per L48 i>1 / Only for R48 i>1 / Nur für R48 i>1

(2): Solo per L19 i=2 / Only for L19 i=2 / Nur für i=2

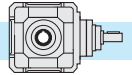
LA - LC - LF in > 1	Cuscinetti / Bearings / Lager			Anelli di tenuta / Oilseals / Öldichtungen			
	LA - LC - LF	LA - LF	LC	LA - LC - LF	LC	LA - LF	
	94.30	94.10 - 94.09	94.08	95.30	IEC	95.06	95.07
19	6206 30/62/16	30203 17/40/13.25	7203 17/40/12	30/47/7	63	25/52/7	15/40/10
					71	30/52/7	
					80	35/52/7	
					90	37/52/8	
24	6207 35/72/17	32005 25/47/15	7205 25/52/15	35/52/7	71 - 80	35/62/7	20/47/7
					90	40/62/7	
					100 - 112	45/62/8	
28	6208 40/80/18	32006 30/55/17	7206 30/62/16	40/62/8	80 - 90	40/72/7	25/58/10
					100 - 112	45/72/8	
					132	55/72/8	
38	30211 55/100/22.75	32007 35/62/18	7207 35/72/17	55/72/10	90	45/80/10	30/62/7
					100 - 112	45/80/10	
					132	55/80/10	
					160	60/80/8	
48	30213 65/120/24.75	33109 45/80/26	7209 45/85/19	65/90/10	180	65/80/8	40/80/10
					100 - 112	55/100/13	
					132 - 160	60/100/10	
					200	75/100/10	



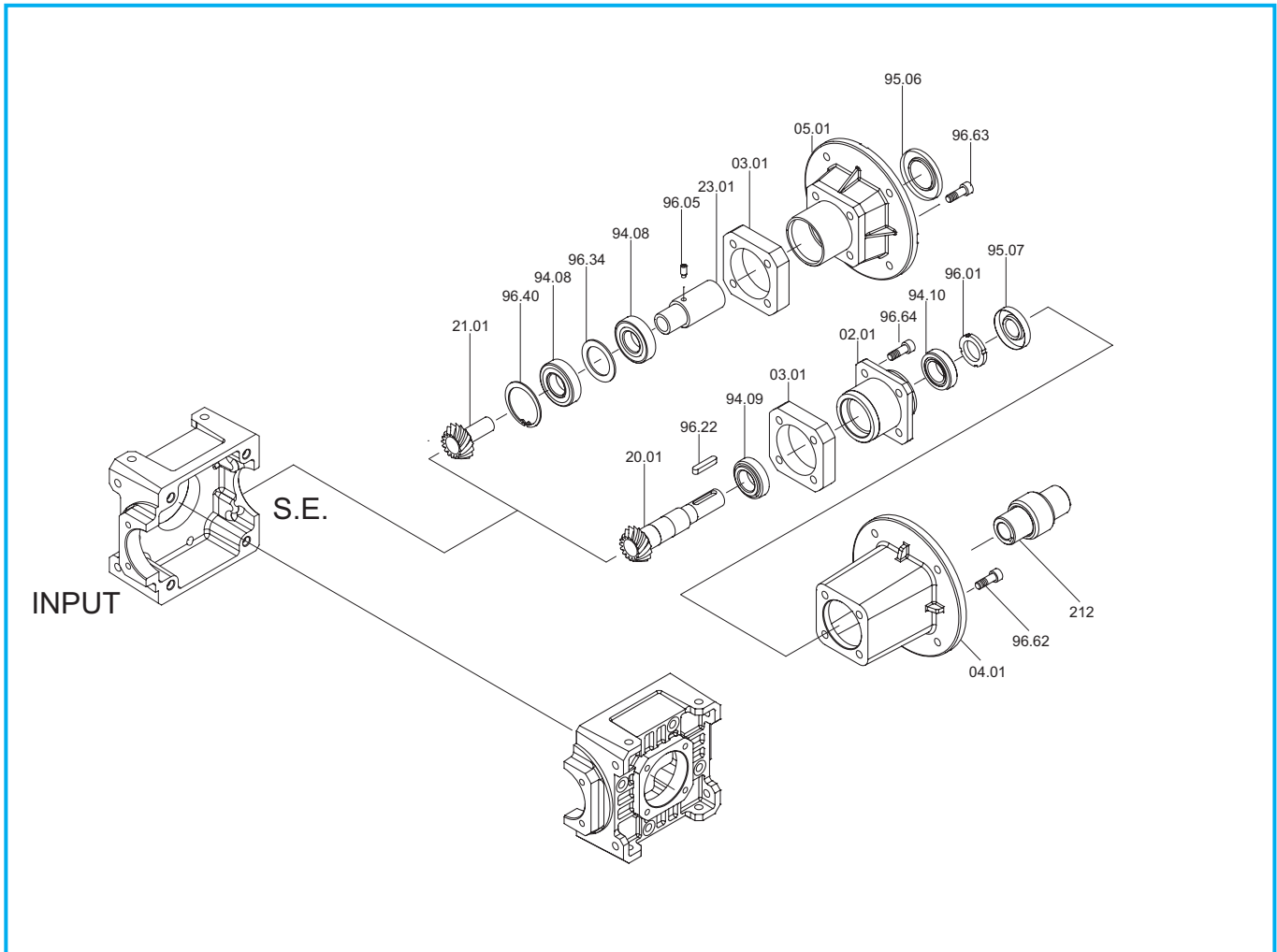
LA - LC - LF (in = 1) s.e.



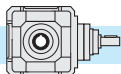
LA - LC - LF in = 1:1 S.E	Cuscinetti / Bearings / Lager		Anelli di tenuta / Oilseals / Öldichtungen		
	LA - LF	LC	LC		LA - LF
	94.10 - 94.09	94.08	IEC	95.06	95.07
19	30203 17/40/13.25	7203 17/40/12	63	25/52/7	20/40/7
			71	30/52/7	
			80	35/52/7	
			90	37/52/8	
24	32005 25/47/15	7205 25/52/15	71 - 80	35/62/7	30/47/7
			90	40/62/7	
			100 - 112	45/62/8	
28	32006 30/55/17	7206 30/62/16	80 - 90	40/72/7	35/58/10
			100 - 112	45/72/8	
			132	55/72/8	
38	32007 35/62/18	7207 35/72/17	90	45/80/10	40/62/7
			100 - 112	45/80/10	
			132	55/80/10	
			160	60/80/8	
48	33109 45/80/26	7209 45/85/19	180	65/80/8	55/80/8
			100 - 112	55/100/13	
			132 - 160	60/100/10	
			200	75/100/10	



LA - LC - LF (in > 1) s.e.



LA - LC - LF in > 1 S.E	Cuscinetti / Bearings / Lager		Anelli di tenuta / Oilseals / Öldichtungen		
	LA - LF	LC	LC		LA - LF
	94.10 - 94.09	94.08	IEC	95.06	95.07
19	32003 17/40/13.25	7203 17/40/12	63	25/52/7	15/40/10
			71	30/52/7	
			80	35/52/7	
			90	37/52/8	
24	32005 25/47/15	7205 25/52/15	71 - 80	35/62/7	20/47/7
			90	40/62/7	
			100 - 112	45/62/8	
28	32006 30/55/17	7206 30/62/16	80 - 90	40/72/7	25/58/10
			100 - 112	45/72/8	
			132	55/72/8	
38	32007 35/62/18	7207 35/72/17	90	45/80/10	30/62/7
			100 - 112	45/80/10	
			132	55/80/10	
			160	60/80/8	
48	33109 45/80/26	7209 45/85/19	180	65/80/8	40/80/10
			100 - 112	55/100/13	
			132 - 160	60/100/10	
			200	75/100/10	



7.14 Lista parti di ricambio

7.14 Spare parts list

7.14 Ersatzteilliste

In fase di ordine delle parti di ricambio, specificare sempre n° particolare (vedi disegno esploso), data (1), n° codice (2) e n° variante (3). (Vedi targhetta).

When ordering a spare part, the spare part number (see exploded technical drawing), the date (1), the code number (2) and the variant number (3) should always be reported. (See plate)

Bei der Bestellung von Ersatzteilen sind Ersatzteilnummer (s. Explosionszeichnung), Datum (1), Artikelnummer (2) und Variantennummer (3) anzugeben. (s. Schild)

